

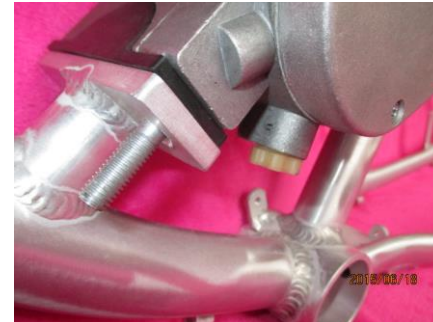
## 2015 GruBee SkyHawk Disc Brake compatible GT Frames:



There're 2 new disc brake compatible frame styles; GtA pedestal mt. and GtS, straight tube. Both frames have the V caliper brake attach studs on the frame stays for customer choice.

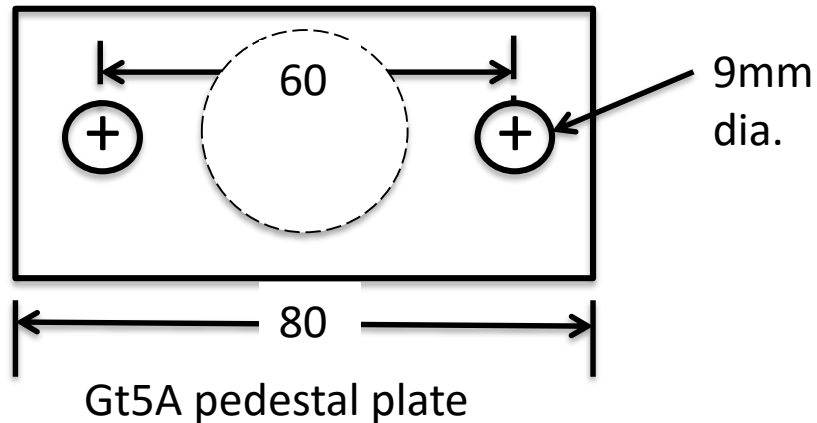


Within these 2 style frames there are 2 drop out width variations 135mm and 150mm ( 150 for multi speed and 135 for single speed )



Our new 2015 model DB compatible frames are made exclusively for our Skyhawk GT5A new style EPA approved engines with 60mm wide front mount 8mm dia. studs.

When fitting the new disc brake frames to older style Gt5 engines or brand X engines the holes on the front mount plate will need to be filed elongated inboard as required to fit the smaller 6mm dia. stud width. Be sure to use the smaller 32mm dia. Rubber cushion instead of the 43mm larger one for Gt5A.



# Comparisons;

## 2015 GtA & GtS frames



Disc Brake compatible



80 long x 7mm thick plate

Compatible with M8 wide spaced studs but narrow spaced M6 studs can also work with slight modification.



Small plastic gas cap



150mm and 135mm drop outs available

## Brand X copy frames



Not Disc Brake compatible



72 long x 5mm thick plate

Made for narrow spaced M6 studs only; Not compatible with wide spaced M8 studs



Big Metal gas cap



Available in 135 mm only